

# EURO-WALL, LLC

## EURO-C3 BIFOLD ALUMINUM DOOR SYSTEM (HVHZ) (IMPACT)



EURO-WALL, LLC  
P.O. BOX 8007  
NORTH PORT, FL 34290  
PH: (888) 989-3876

**GENERAL NOTES:**

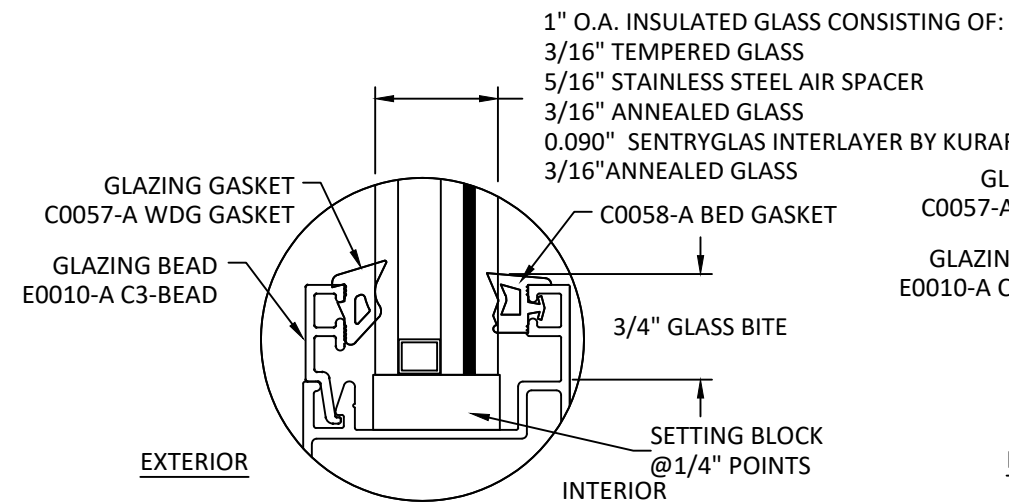
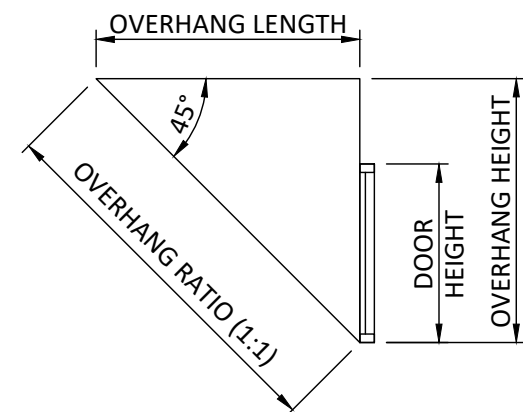
- THE PRODUCT SHOWN HEREIN IS DESIGNED AND MANUFACTURED TO COMPLY WITH THE CURRENT FLORIDA BUILDING CODE (FBC), **INCLUDING** HVHZ AND HAS BEEN EVALUATED ACCORDING TO THE FOLLOWING:
  - ASTM C864-05
  - ASTM E1886-13a
  - ASTM E1996-17
  - TAS 201-94
  - TAS 202-94
  - TAS 203-94
- ADEQUACY OF THE EXISTING STRUCTURAL CONCRETE/MASONRY, 2X AND METAL STUD FRAMING AS A MAIN WIND FORCE RESISTING SYSTEM CAPABLE OF WITHSTANDING AND TRANSFERRING APPLIED PRODUCT LOADS TO THE FOUNDATION IS THE RESPONSIBILITY OF THE ENGINEER OR ARCHITECT OF RECORD FOR THE PROJECT OF INSTALLATION.
- 1X AND 2X BUCKS (WHEN USED) SHALL BE DESIGNED AND ANCHORED TO PROPERLY TRANSFER ALL LOADS TO THE STRUCTURE. BUCK DESIGN AND INSTALLATION IS THE RESPONSIBILITY OF THE ENGINEER OR ARCHITECT OF RECORD FOR THE PROJECT OF INSTALLATION.
- THE INSTALLATION DETAILS DESCRIBED HEREIN ARE GENERIC AND MAY NOT REFLECT ACTUAL CONDITIONS FOR A SPECIFIC SITE. IF SITE CONDITIONS CAUSE INSTALLATION TO DEVIATE FROM THE REQUIREMENTS DETAILED HEREIN, A LICENSED ENGINEER OR ARCHITECT SHALL PREPARE SITE SPECIFIC DOCUMENTS FOR USE WITH THIS DOCUMENT.
- APPROVED IMPACT PROTECTIVE SYSTEM **IS NOT REQUIRED** TO PROTECT THIS PRODUCT IN AREAS REQUIRING IMPACT RESISTANCE.
- FRAME MATERIAL: ALUMINUM 6063-T5.
- GLASS MEETS THE REQUIREMENTS OF ASTM E1300. SEE GLAZING DETAILS ON SHEETS 1 & 2.

TABLE OF CONTENTS	
SHEET	SHEET DESCRIPTION
1	GENERAL NOTES AND GLAZING DETAILS
2	GLAZING DETAILS
3	GLASS DESIGN PRESSURE TABLES
4	STANDARD HARDWARE ELEVATION
5	PANIC HARDWARE ELEVATION & DESIGN PRESSURE TABLE
6	ANCHOR LAYOUT
7	VERTICAL SECTIONS
8	VERTICAL SECTIONS
9	HORIZONTAL SECTIONS
10	HORIZONTAL SECTIONS
11	ANCHOR DETAILS

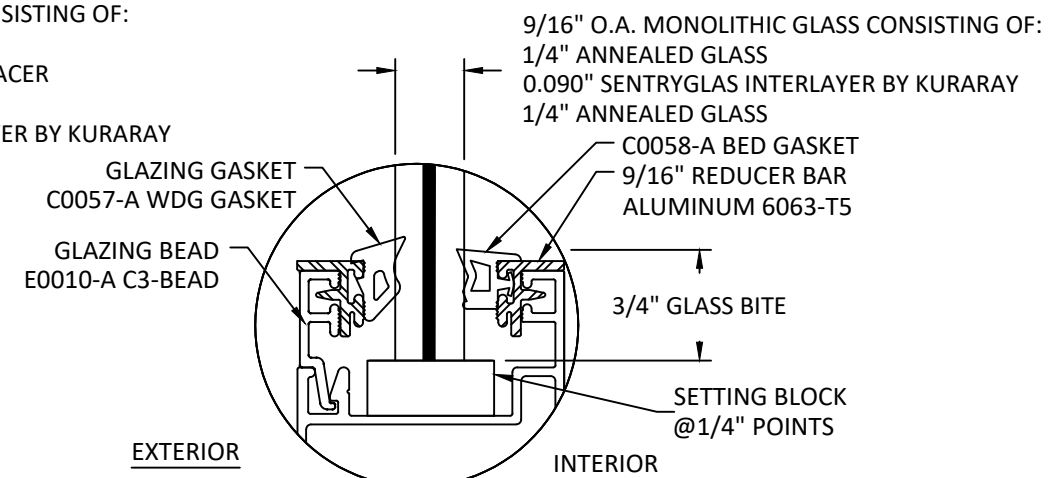
FRAME SIZE	DESIGN PRESSURE	MISSILE IMPACT RATING	WATER TEST PRESSURE
SEE SHEETS 3 & 5	SEE SHEETS 3, 4, & 5	LARGE & SMALL MISSILE IMPACT	SEE SHEET 4 & 5

- GLAZING NOTES:**
- GLASS TYPE COMPLIES WITH ASTM E1300 REQUIREMENTS.
  - SETTING BLOCKS TO BE LOCATED AT 1/4 SPAN LENGTH FOR GLASS WIDER THAN 36" AS PER FBC CHAPTER 24.
  - SETTING BLOCK DUROMETER HARDNESS OF 70-90 (SHORE A) AS REFERENCED IN FBC CHAPTER 24.
  - GLASS TYPE SHALL COMPLY WITH APPLICABLE GLAZING REQUIREMENTS PER CHAPTER 24 OF THE FBC

NOTE: WHEN INSTALLED AT A LOCATION PROTECTED BY AN OVERHANG SUCH THAT:  
OVERHANG (OH) RATIO = OH LENGTH ÷ OH HEIGHT IS  $\geq 1.0$ ,  
WATER INFILTRATION REQUIREMENT DOES NOT NEED TO BE MET



**GLAZING DETAIL 1**



**GLAZING DETAIL 2**

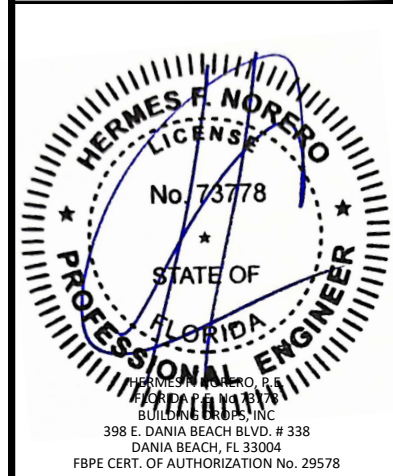
**TITLE:** EURO-C3 BIFOLD ALUMINUM DOOR SYSTEM (HVHZ)(IMPACT)

**GENERAL NOTES AND GLAZING DETAILS**

**PREPARED BY:** BUILDING DROPS, INC.  
398 E. DANIA BEACH BLVD., STE. 338  
DANIA BEACH, FL 33004  
PH: (954) 399-8478  
FAX: (954) 744-4738  
WEB: www.buildingdrops.com

REMARKS	BY	DATE
ADD 12' HEIGHT DOOR	MS	06/21
2023 CODE CHANGE	MG	02/23
MISC. UPDATE	OL	06/23
PANIC HARDWARE UPD	SH	09/23

THE INSTALLATION DETAILS DESCRIBED HEREIN ARE GENERIC AND MAY NOT REFLECT ACTUAL CONDITIONS FOR A SPECIFIC SITE. IF SITE CONDITIONS CAUSE INSTALLATION TO DEVIATE FROM THE REQUIREMENTS DETAILED HEREIN, A LICENSED ENGINEER OR ARCHITECT SHALL PREPARE SITE SPECIFIC DOCUMENTS FOR USE WITH THIS DOCUMENT.



FL #:

# FL17838

DATE: 10.09.20

DWG. BY: LL      CHK. BY: SM

SCALE: NTS

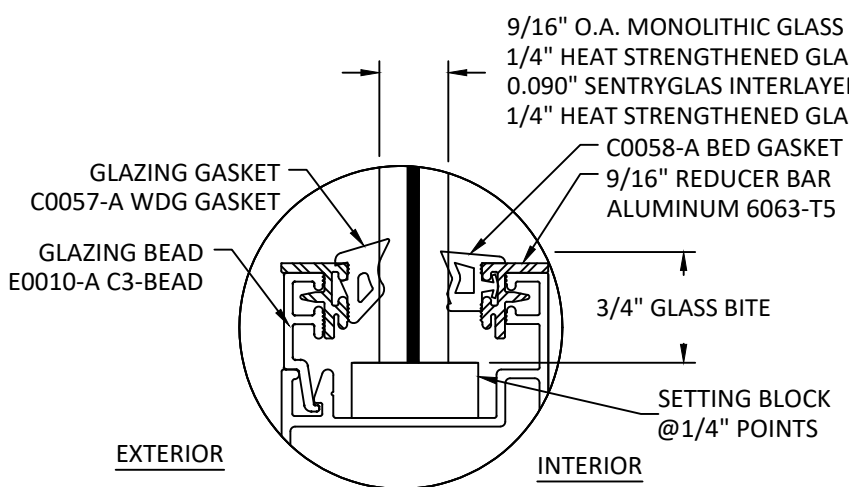
DWG. #: EWS016

SHEET

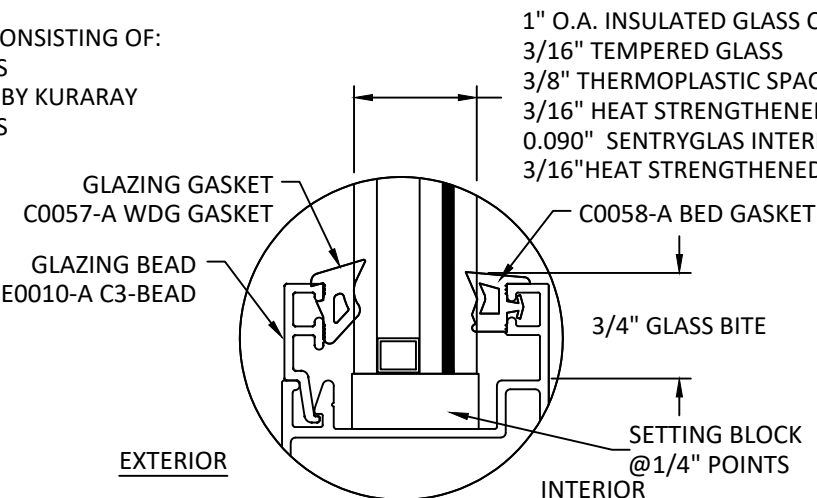
# 1

OF 11

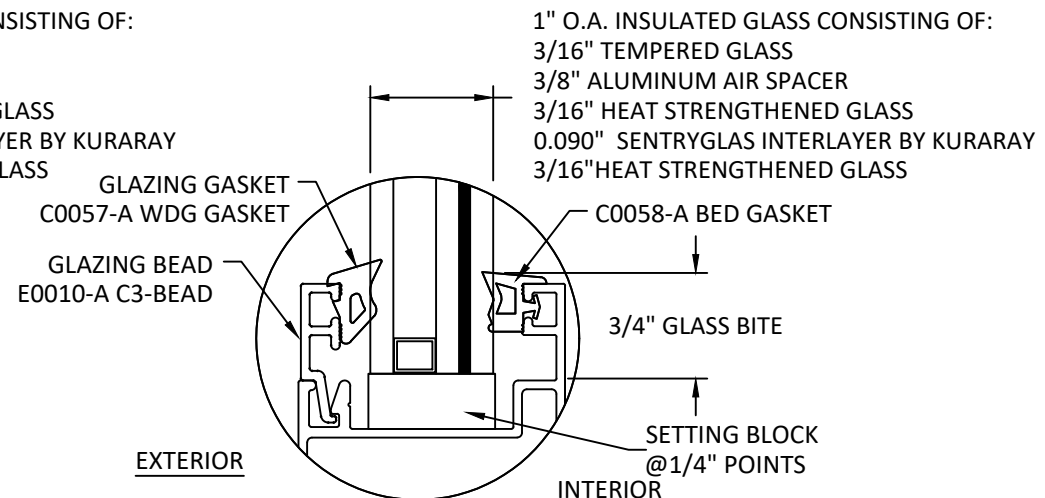
9/29/2023 1:30 PM  
 s:\projects\euro-wall systems\fb-23-0818 - fbc submittal - fbc submittal - ew holdings of florida llc name change.dwg\117838\ew016.dwg



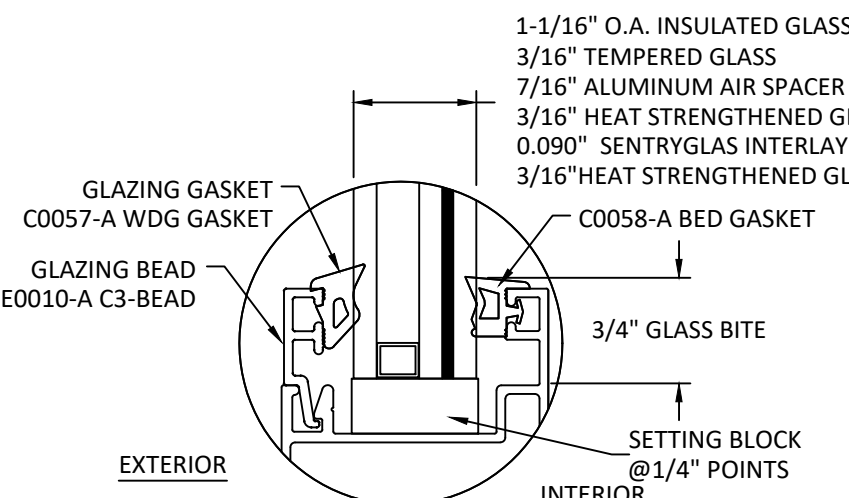
**GLAZING DETAIL 3**



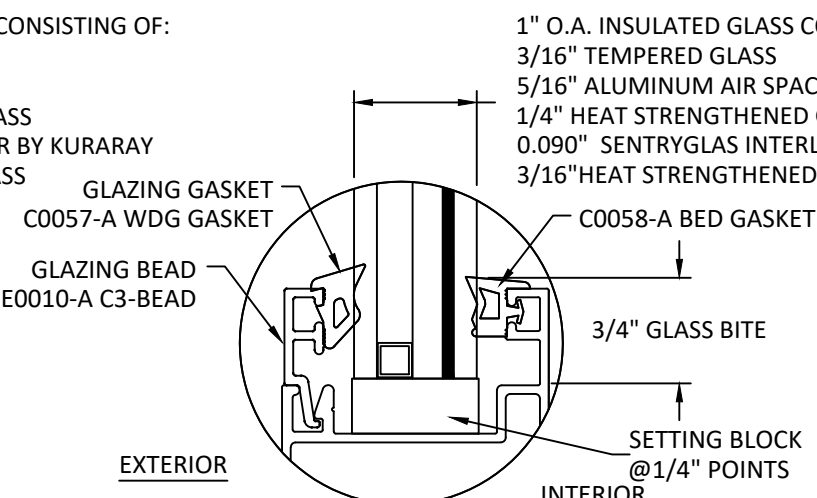
**GLAZING DETAIL 4**



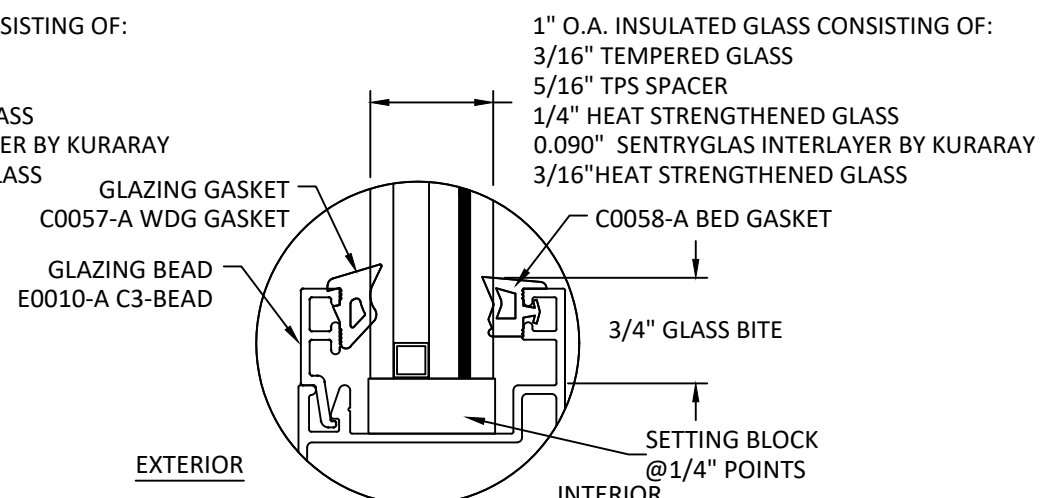
**GLAZING DETAIL 5**



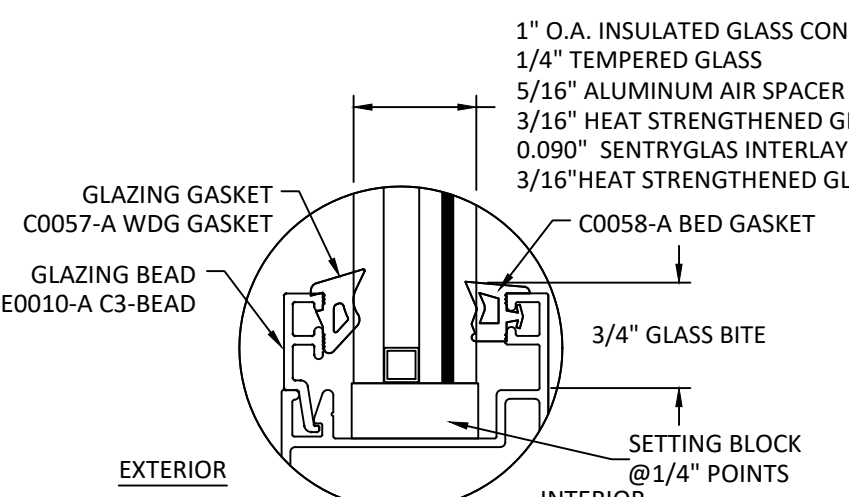
**GLAZING DETAIL 6**



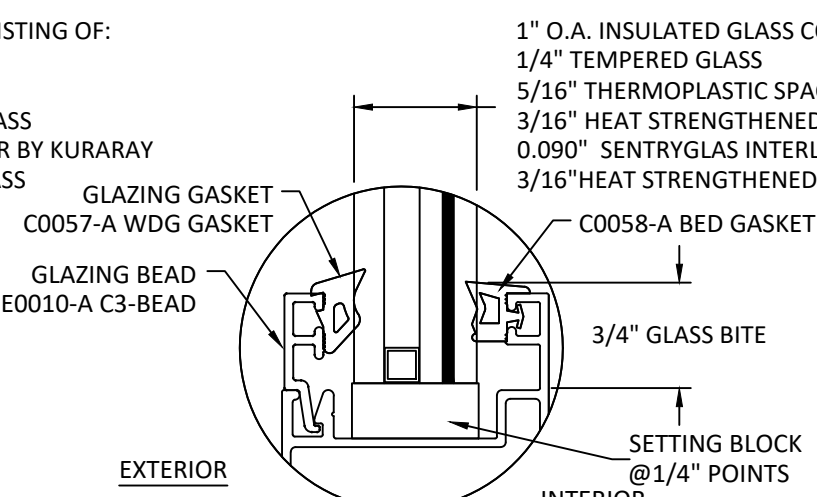
**GLAZING DETAIL 7**



**GLAZING DETAIL 8**



**GLAZING DETAIL 9**



**GLAZING DETAIL 10**

- GLAZING NOTES:**
- GLASS TYPE COMPLIES WITH ASTM E1300 REQUIREMENTS.
  - SETTING BLOCKS TO BE LOCATED AT 1/4 SPAN LENGTH FOR GLASS WIDER THAN 36" AS PER FBC CHAPTER 24.
  - SETTING BLOCK DUROMETER HARDNESS OF 70-90 (SHORE A) AS REFERENCED IN FBC CHAPTER 24.
  - GLASS TYPE SHALL COMPLY WITH APPLICABLE GLAZING REQUIREMENTS PER CHAPTER 24 OF THE FBC

**euro-wall**  
SUPERIOR BY DESIGN

EURO-WALL, LLC  
P.O. BOX 8007  
NORTH PORT, FL 34290  
PH: (888) 989-3876

TITLE: EURO-C3 BIFOLD ALUMINUM DOOR SYSTEM (HVHZ)(IMPACT) GLAZING DETAILS

PREPARED BY: BUILDING DROPS, INC.  
398 E. DANIA BEACH BLVD., STE. 338  
DANIA BEACH, FL 33004  
PH: (954) 399-8478  
FAX: (954) 44-4738  
WEB: www.buildingdrops.com

REMARKS	BY	DATE
ADD 12' HEIGHT DOOR	MS	06/21
2023 CODE CHANGE	MG	02/23
MISC. UPDATE	OL	06/23
PANIC HARDWARE UPD	SH	09/23

THE INSTALLATION DETAILS DESCRIBED HEREIN ARE GENERIC AND MAY NOT REFLECT ACTUAL CONDITIONS FOR A SPECIFIC SITE. IF SITE CONDITIONS CAUSE INSTALLATION TO DEVIATE FROM THE REQUIREMENTS DETAILED HEREIN, A LICENSED ENGINEER OR ARCHITECT SHALL PREPARE SITE SPECIFIC DOCUMENTS FOR USE WITH THIS DOCUMENT.

HERMES F. NORERO  
LICENSE  
No. 73778  
STATE OF FLORIDA  
PROFESSIONAL ENGINEER

HERMES F. NORERO, P.E.  
BUILDING DROPS, INC.  
398 E. DANIA BEACH BLVD. # 338  
DANIA BEACH, FL 33004  
FBPE CERT. OF AUTHORIZATION No. 29578

FL #: **FL17838**

DATE: **10.09.20**

DWG. BY: **LL** CHK. BY: **SM**

SCALE: **NTS**

DWG. #: **EWS016**

SHEET **2** OF 11

# GLASS DESIGN PRESSURE TABLES



EURO-WALL, LLC  
P.O. BOX 8007  
NORTH PORT, FL 34290  
PH: (888) 989-3876

G1/G2 DESIGN PRESSURE TABLE (+/- PSF) FOR INSWING DOOR											
NOMINAL PANEL WIDTH (INCHES)											
FRAME HEIGHT (INCHES)	20.0	24.0	28.0	32.0	36.0	40.0	44.0	48.0	52.0		
	72.0	+60.0/-65.0	+60.0/-65.0	+60.0/-65.0	+60.0/-65.0	+60.0/-65.0	+60.0/-65.0	+60.0/-65.0	+60.0/-65.0	+60.0/-65.0	+60.0/-65.0
	76.0	+60.0/-65.0	+60.0/-65.0	+60.0/-65.0	+60.0/-65.0	+60.0/-65.0	+60.0/-65.0	+60.0/-65.0	+60.0/-65.0	+60.0/-65.0	+60.0/-65.0
	80.0	+60.0/-65.0	+60.0/-65.0	+60.0/-65.0	+60.0/-65.0	+60.0/-65.0	+60.0/-65.0	+60.0/-65.0	+60.0/-65.0	+60.0/-65.0	+60.0/-65.0
	84.0	+60.0/-65.0	+60.0/-65.0	+60.0/-65.0	+60.0/-65.0	+60.0/-65.0	+60.0/-65.0	+60.0/-65.0	+60.0/-65.0	+60.0/-65.0	+60.0/-65.0
	88.0	+60.0/-65.0	+60.0/-65.0	+60.0/-65.0	+60.0/-65.0	+60.0/-65.0	+60.0/-65.0	+60.0/-65.0	+60.0/-65.0	+60.0/-65.0	+60.0/-65.0
	92.0	+60.0/-65.0	+60.0/-65.0	+60.0/-65.0	+60.0/-65.0	+60.0/-65.0	+60.0/-65.0	+60.0/-65.0	+60.0/-65.0	+60.0/-65.0	+60.0/-65.0
	96.0	+60.0/-65.0	+60.0/-65.0	+60.0/-65.0	+60.0/-65.0	+60.0/-65.0	+60.0/-65.0	+60.0/-65.0	+60.0/-65.0	+60.0/-65.0	+60.0/-65.0
	100.0	+60.0/-65.0	+60.0/-65.0	+60.0/-65.0	+60.0/-65.0	+60.0/-65.0	+60.0/-65.0	+60.0/-65.0	+60.0/-65.0	+60.0/-65.0	+60.0/-65.0
	104.0	+60.0/-65.0	+60.0/-65.0	+60.0/-65.0	+60.0/-65.0	+60.0/-65.0	+60.0/-65.0	+60.0/-65.0	+60.0/-65.0	+60.0/-65.0	-
	108.0	+60.0/-65.0	+60.0/-65.0	+60.0/-65.0	+60.0/-65.0	+60.0/-65.0	+60.0/-65.0	+60.0/-65.0	-	-	-
	112.0	+60.0/-65.0	+60.0/-65.0	+60.0/-65.0	+60.0/-65.0	+60.0/-65.0	+60.0/-65.0	+60.0/-65.0	-	-	-
	116.0	+60.0/-65.0	+60.0/-65.0	+60.0/-65.0	+60.0/-65.0	+60.0/-65.0	+60.0/-65.0	-	-	-	-
120.0	+60.0/-65.0	+60.0/-65.0	+60.0/-65.0	+60.0/-65.0	+64.6/-65.0	+58.6/-63.5	-	-	-	-	

NOTE : APPLIES TO RADIUSSED AND SEGMENTED INSTALLATIONS.

G1/G2 DESIGN PRESSURE TABLE (+/- PSF) FOR OUTSWING DOOR											
NOMINAL PANEL WIDTH (INCHES)											
FRAME HEIGHT (INCHES)	20.0	24.0	28.0	32.0	36.0	40.0	44.0	48.0	52.0		
	72.0	100.0	100.0	100.0	100.0	100.0	100.0	100.0	100.0	75.0	75.0
	76.0	100.0	100.0	100.0	100.0	100.0	100.0	100.0	100.0	100.0	75.0
	80.0	100.0	100.0	100.0	100.0	100.0	100.0	100.0	100.0	75.0	75.0
	84.0	100.0	100.0	100.0	100.0	100.0	100.0	100.0	75.0	+65.0/-65.0	+65.0/-65.0
	88.0	100.0	100.0	100.0	100.0	100.0	100.0	75.0	+65.0/-65.0	+65.0/-65.0	+65.0/-65.0
	92.0	100.0	100.0	100.0	100.0	100.0	100.0	75.0	+65.0/-65.0	+65.0/-65.0	+65.0/-65.0
	96.0	100.0	100.0	100.0	100.0	100.0	75.0	+65.0/-65.0	+65.0/-65.0	+65.0/-65.0	+65.0/-65.0
	100.0	100.0	100.0	100.0	100.0	94.3	75.0	+65.0/-65.0	+65.0/-65.0	-	-
	104.0	100.0	100.0	100.0	92.9	75.0	75.0	+65.0/-65.0	+64.5/-65.0	-	-
	108.0	100.0	100.0	93.8	82.8	75.0	+65.0/-65.0	+65.0/-65.0	-	-	-
	112.0	100.0	97.3	83.9	75.0	75.0	+65.0/-65.0	+62.6/-65.0	-	-	-
	116.0	100.0	87.4	75.4	75.0	75.0	+64.5/-65.0	-	-	-	-
120.0	94.2	78.9	75.0	75.0	+64.6/-65.0	+58.6/-63.5	-	-	-	-	

NOTE : APPLIES TO RADIUSSED AND SEGMENTED INSTALLATIONS.

G3/G4/G5/G6/G7/G8/G9/G10 DESIGN PRESSURE TABLE (+/- PSF) FOR INSWING OR OUTSWING DOOR											
NOMINAL PANEL WIDTH (INCHES)											
PANEL HEIGHT (INCHES)	20.0	24.0	28.0	32.0	36.0	40.0	44.0	48.0	52.0		
	72.0	65.0	65.0	65.0	65.0	65.0	65.0	65.0	65.0	65.0	65.0
	78.0	65.0	65.0	65.0	65.0	65.0	65.0	65.0	65.0	65.0	65.0
	84.0	65.0	65.0	65.0	65.0	65.0	65.0	65.0	65.0	65.0	65.0
	90.0	65.0	65.0	65.0	65.0	65.0	65.0	65.0	65.0	65.0	65.0
	96.0	65.0	65.0	65.0	65.0	65.0	65.0	65.0	65.0	65.0	65.0
	102.0	65.0	65.0	65.0	65.0	65.0	65.0	65.0	65.0	-	-
	108.0	65.0	65.0	65.0	65.0	65.0	65.0	65.0	65.0	-	-
	114.0	65.0	65.0	65.0	65.0	65.0	65.0	65.0	-	-	-
	120.0	65.0	65.0	65.0	65.0	65.0	65.0	-	-	-	-
	126.0	65.0	65.0	65.0	65.0	65.0	65.0	-	-	-	-
	132.0	65.0	65.0	65.0	65.0	65.0	-	-	-	-	-
	138.0	65.0	65.0	65.0	65.0	65.0	-	-	-	-	-
144.0	65.0	65.0	65.0	65.0	65.0	-	-	-	-	-	

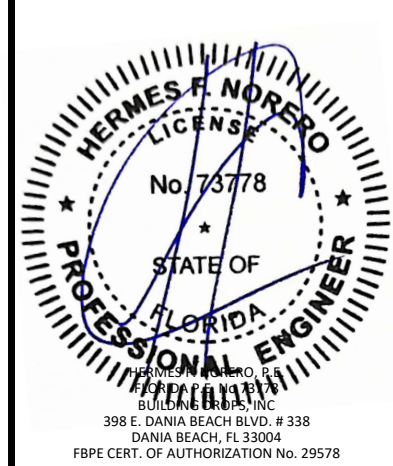
NOTE : APPLIES TO RADIUSSED AND SEGMENTED INSTALLATIONS.

TITLE: EURO-C3 BIFOLD ALUMINUM DOOR SYSTEM (HVHZ2)(IMPACT)  
GLASS DESIGN PRESSURE TABLES

PREPARED BY: BUILDING DROPS, INC.  
398 E. DANIA BEACH BLVD., STE. 338  
DANIA BEACH, FL 33004  
PH: (954) 399-8478  
FAX: (954) 44-4738  
WEB: www.buildingdrops.com

REMARKS	BY	DATE
ADD 12' HEIGHT DOOR	MS	06/21
2023 CODE CHANGE	MG	02/23
MISC. UPDATE	OL	06/23
PANIC HARDWARE UPD	SH	09/23

THE INSTALLATION DETAILS DESCRIBED HEREIN ARE GENERIC AND MAY NOT REFLECT ACTUAL CONDITIONS FOR A SPECIFIC SITE. IF SITE CONDITIONS CAUSE INSTALLATION TO DEVIATE FROM THE REQUIREMENTS DETAILED HEREIN, A LICENSED ENGINEER OR ARCHITECT SHALL PREPARE SITE SPECIFIC DOCUMENTS FOR USE WITH THIS DOCUMENT.



FL #: **FL17838**

DATE: **10.09.20**

DWG. BY: **LL** | CHK. BY: **SM**

SCALE: **NTS**

DWG. #: **EWS016**

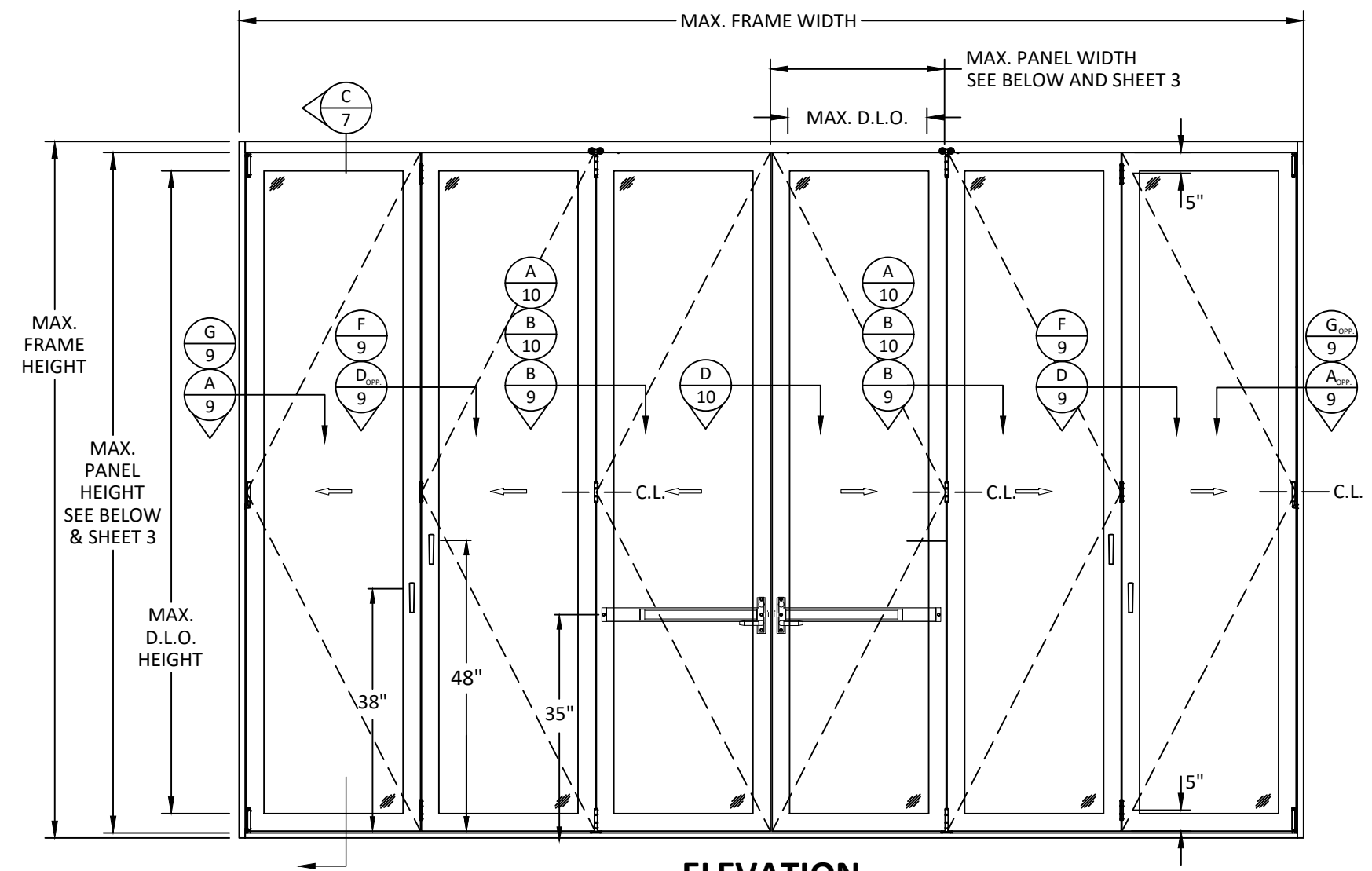
SHEET **3** OF 11

9/29/2023 1:30 PM  
s:\projects\euro-wall systems\fb-23-0818 - fbc submittal - fbc submittal - fbc submittal - ew holdings of florida llc name change\dwgs\117838\ews016.dwg





9/29/2023 1:30 PM  
s:\projects\euro-wall systems\fb-23-0818 - fbc submittal - fbc submittal - ew holdings of florida llc name change\117838\ew016.dwg



**ELEVATION**  
**OUTSWING UNIT WITH PANIC EXIT DEVICE LOCKING HARDWARE**

**NOTE :**  
THE WALL CENTER PIVOT AND CENTER HINGE IS NOT REQUIRED WHEN THE DOOR HEIGHT IS LESS THAN 72".

**NOTE :**  
PANIC EXIT DEVICE ONLY QUALIFIED FOR USE IN THE OUTSWING CONFIGURATION WITH ADA SILL.

**NOTE :**  
DOORS WITH PANIC EXIT DEVICE LOCKING HARDWARE SHALL BE LIMITED TO THE DIMENSIONS SHOWN IN THE TABLE BELOW AND THE SIZES GIVEN ON SHEET 3 GLASS DESIGN PRESSURE TABLES. THE LOWER OF THE TWO DESIGN PRESSURE VALUES SHALL GOVERN. DOORS WITH PANIC DEVICE ARE NOT RATED FOR WATER INFILTRATION.

D.L.O. HEIGHT = PANEL HEIGHT - 7.0375"

D.L.O. WIDTH = PANEL WIDTH - 7.3125"

**NOTE:**  
PANELS SHOWN ARE BASED ON TESTING, OTHER APPROVED CONFIGURATIONS ARE AS FOLLOWS:  
1 PANEL - 1L, 1R  
2 PANEL - 2L, 2R, 1L 1R  
3 PANEL - 3L, 3R, 2L 1R, 1L 2R  
4 PANEL - 4L, 4R, 3L 1R, 1L 3R, 2L 2R  
5 PANEL - 5L, 5R, 4L 1R, 1L 4R, 3L 2R, 2L 3R  
6 PANEL - 6L, 6R, 5L 1R, 1L 5R, 4L 2R, 2L 4R, 3L 3R  
7 PANEL - 7L, 7R, 6L 1R, 1L 6R, 5L 2R, 2L 5R, 4L 3R, 3L 4R  
8 PANEL - 8L, 8R, 7L 1R, 1L 7R, 6L 2R, 2L 6R, 5L 3R, 3L 5R, 4L 4R  
9 PANEL - 9L, 9R, 8L 1R, 1L 8R, 7L 2R, 2L 7R, 6L 3R, 3L 6R, 5L 4R, 4L 5R

FOR DOOR WITH GLASS TYPE 1 & 2, OVERALL FRAME AREA SHALL NOT EXCEED 415 FT<sup>2</sup> (1.5 X TESTED FRAME AREA).  
FOR DOOR WITH GLASS TYPE 3, 4, 5, 6, 7, 8, 9, & 10, OVERALL FRAME AREA SHALL NOT EXCEED 334 FT<sup>2</sup> (1.5 X TESTED FRAME AREA).

**PANIC EXIT DEVICE LOCKING HARDWARE DESIGN PRESSURE TABLE (+/- PSF) FOR OUT-SWING DOOR ONLY**

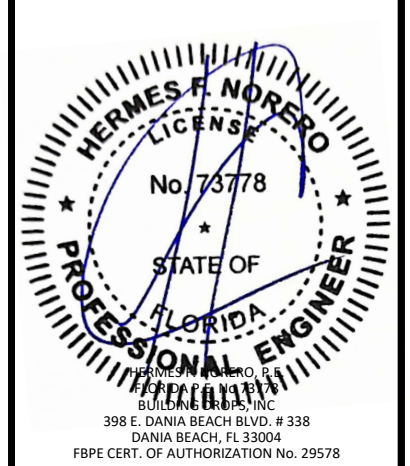
PANEL HEIGHT (INCHES)	NOMINAL PANEL WIDTH (INCHES)									
	20.0	24.0	28.0	32.0	36.0	40.0	44.0	48.0	52.0	
72.0	65.00	65.00	65.00	65.00	65.00	65.00	65.00	65.00	65.00	65.00
78.0	65.00	65.00	65.00	65.00	65.00	65.00	65.00	65.00	65.00	65.00
84.0	65.00	65.00	65.00	65.00	65.00	65.00	65.00	65.00	65.00	-
90.0	65.00	65.00	65.00	65.00	65.00	65.00	65.00	65.00	65.00	-
96.0	65.00	65.00	65.00	65.00	65.00	65.00	65.00	65.00	-	-
102.0	65.00	65.00	65.00	65.00	65.00	65.00	65.00	-	-	-
108.0	65.00	65.00	65.00	65.00	65.00	65.00	65.00	-	-	-
114.0	65.00	65.00	65.00	65.00	65.00	65.00	-	-	-	-
120.0	65.00	65.00	65.00	65.00	65.00	65.00	-	-	-	-

**TITLE:** EURO-C3 BIFOLD ALUMINUM DOOR SYSTEM (HVHZ)(IMPACT)  
**PANIC HARDWARE ELEVATION & DESIGN PRESSURE TABLE**

**PREPARED BY:** BUILDING DROPS, INC.  
398 E. DANIA BEACH BLVD., STE. 338  
DANIA BEACH, FL 33004  
PH: (954)399-8478  
FAX: (954)744-4738  
WEB: www.buildingdrops.com

REMARKS	BY	DATE
ADD 12' HEIGHT DOOR	MS	06/21
2023 CODE CHANGE	MG	02/23
MISC. UPDATE	OL	06/23
PANIC HARDWARE UPD	SH	09/23

THE INSTALLATION DETAILS DESCRIBED HEREIN ARE GENERIC AND MAY NOT REFLECT ACTUAL CONDITIONS FOR A SPECIFIC SITE. IF SITE CONDITIONS CAUSE INSTALLATION TO DEVIATE FROM THE REQUIREMENTS DETAILED HEREIN, A LICENSED ENGINEER OR ARCHITECT SHALL PREPARE SITE SPECIFIC DOCUMENTS FOR USE WITH THIS DOCUMENT.



FL #: **FL17838**

DATE: **10.09.20**

DWG. BY: **LL** CHK. BY: **SM**

SCALE: **NTS**

DWG. #: **EWS016**

SHEET **5** OF 11





9/29/2023 1:30 PM  
s:\projects\eurowall systems\fb-23-0818 - fbc submittal - fbc submittal - ew holdings of florida llc name change\dwg\117838\ews016.dwg

**eurowall**  
SUPERIOR BY DESIGN

EURO-WALL, LLC  
P.O. BOX 8007  
NORTH PORT, FL 34290  
PH: (888) 989-3876

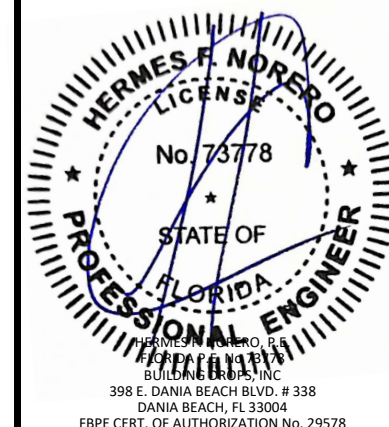
TITLE: EURO-C3 BIFOLD  
ALUMINUM DOOR SYSTEM  
(HVHZ)(IMPACT)  
VERTICAL SECTIONS

PREPARED BY:  
**BUILDING DROPS, INC.**  
398 E. DANIA BEACH BLVD., STE. 338  
DANIA BEACH, FL 33004  
PH: (954) 359-8478  
FAX: (954) 744-4738  
WEB: www.buildingdrops.com



REMARKS	BY	DATE
ADD 12' HEIGHT DOOR	MS	06/21
2023 CODE CHANGE	MG	02/23
MISC. UPDATE	OL	06/23
PANIC HARDWARE UPD	SH	09/23

THE INSTALLATION DETAILS DESCRIBED HEREIN ARE GENERIC AND MAY NOT REFLECT ACTUAL CONDITIONS FOR A SPECIFIC SITE. IF SITE CONDITIONS CAUSE INSTALLATION TO DEVIATE FROM THE REQUIREMENTS DETAILED HEREIN, A LICENSED ENGINEER OR ARCHITECT SHALL PREPARE SITE SPECIFIC DOCUMENTS FOR USE WITH THIS DOCUMENT.



FL #: **FL17838**

DATE: **10.09.20**

DWG. BY: **LL**      CHK. BY: **SM**

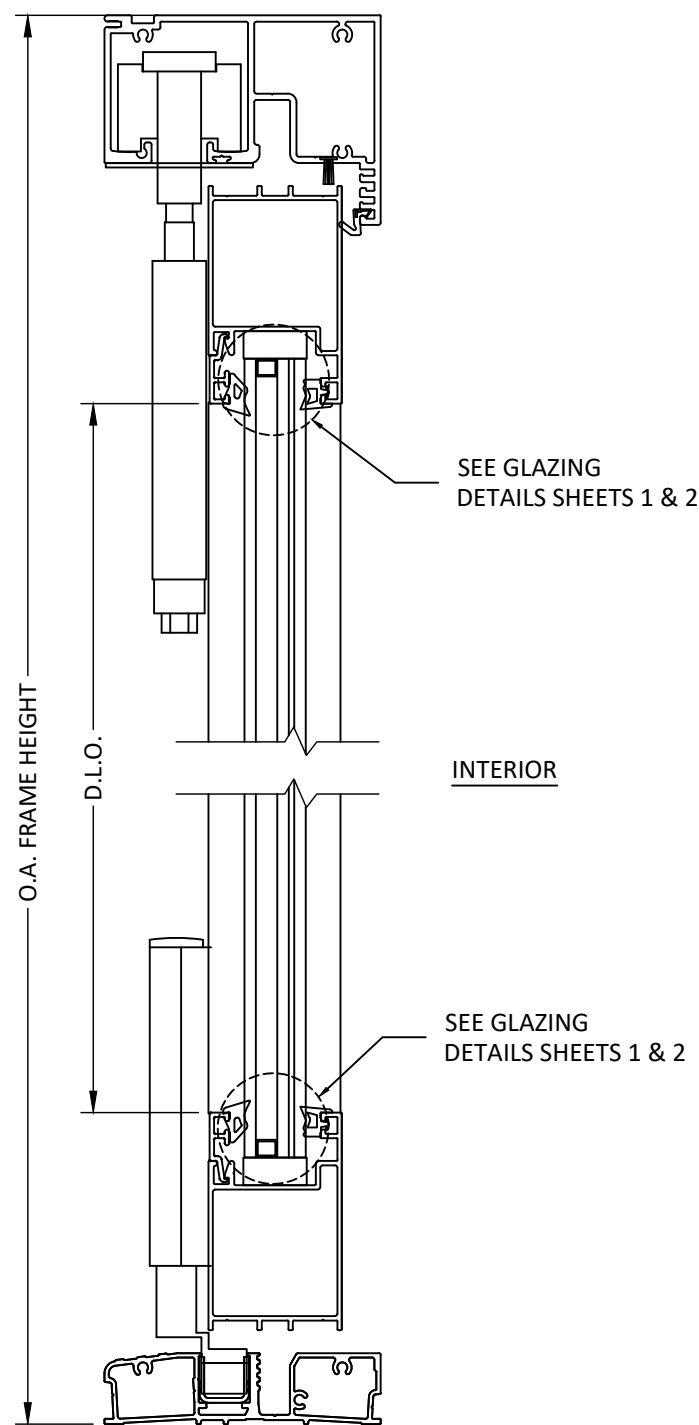
SCALE: **NTS**

DWG. #: **EWS016**

SHEET

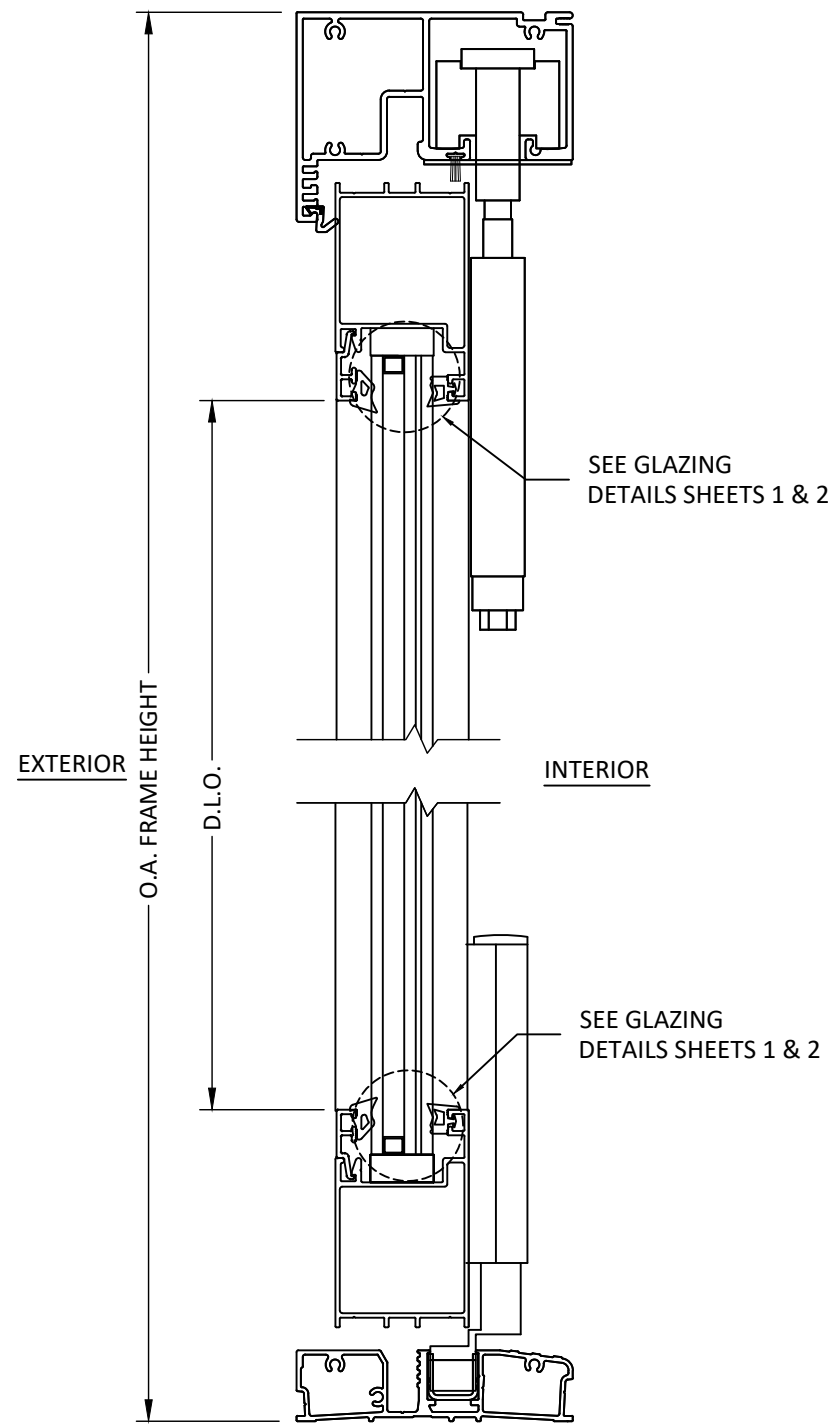
**8**

OF 11



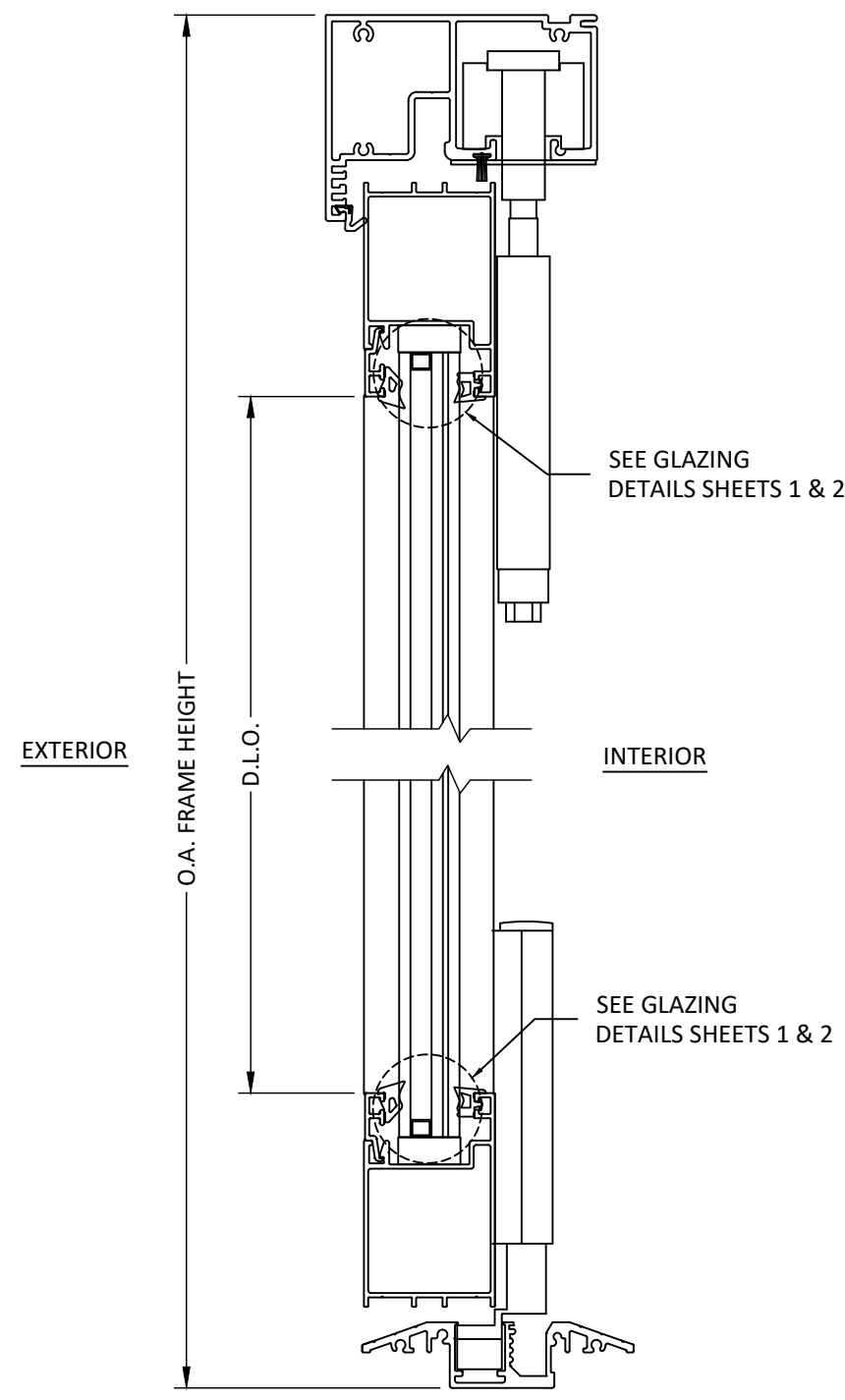
**A**  
**8**      **VERTICAL SECTION**  
HEAD AND MODIFIED SILL OUT-SWING DOOR

NOTE:  
SILL NOT APPROVED FOR  
WATER PENETRATION.



**B**  
**8**      **VERTICAL SECTION**  
HEAD AND MODIFIED SILL DETAIL IN-SWING DOOR

NOTE:  
SILL NOT APPROVED FOR  
WATER PENETRATION.



**C**  
**8**      **VERTICAL SECTION**  
HEAD AND ADA SILL DETAIL IN-SWING DOOR

NOTE:  
SILL NOT APPROVED FOR  
WATER PENETRATION.



s:\projects\euro-wall systems\fb-23-0818 - fbc submittal - fbc submittal - ew holdings of florida llc name change.dwg\117838\ews016.dwg  
 9/29/2023 1:30 PM

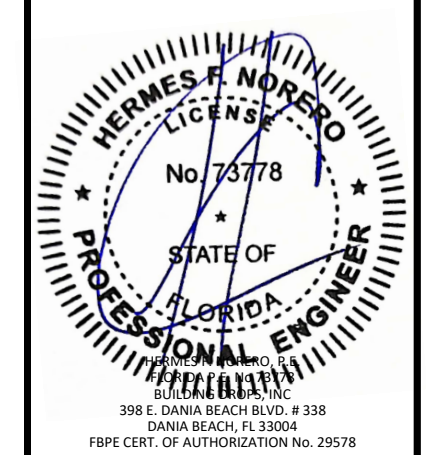
TITLE: EURO-C3 BIFOLD ALUMINUM DOOR SYSTEM (HVHZ)(IMPACT)  
HORIZONTAL SECTIONS

PREPARED BY: BUILDING DROPS, INC.  
398 E. DANIA BEACH BLVD., STE. 338  
DANIA BEACH, FL 33004  
PH: (954) 359-8478  
FAX: (954) 744-4738  
WEB: www.buildingdrops.com



REMARKS	BY	DATE
ADD 12' HEIGHT DOOR	MS	06/21
2023 CODE CHANGE	MG	02/23
MISC. UPDATE	OL	06/23
PANIC HARDWARE UPD	SH	09/23

THE INSTALLATION DETAILS DESCRIBED HEREIN ARE GENERIC AND MAY NOT REFLECT ACTUAL CONDITIONS FOR A SPECIFIC SITE. IF SITE CONDITIONS CAUSE INSTALLATION TO DEVIATE FROM THE REQUIREMENTS DETAILED HEREIN, A LICENSED ENGINEER OR ARCHITECT SHALL PREPARE SITE SPECIFIC DOCUMENTS FOR USE WITH THIS DOCUMENT.



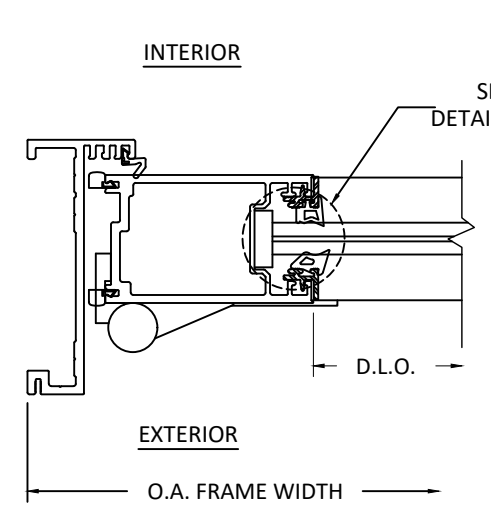
FL #: **FL17838**

DATE: **10.09.20**

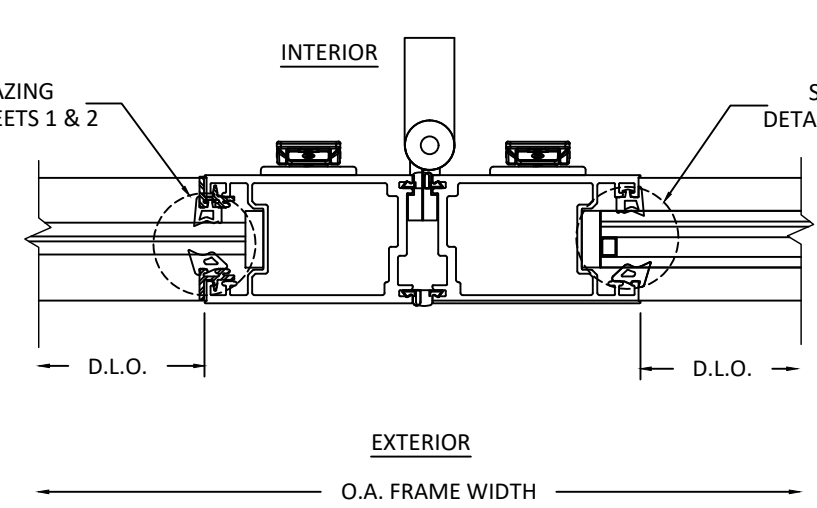
DWG. BY: <b>LL</b>	CHK. BY: <b>SM</b>
--------------------	--------------------

SCALE: **NTS**

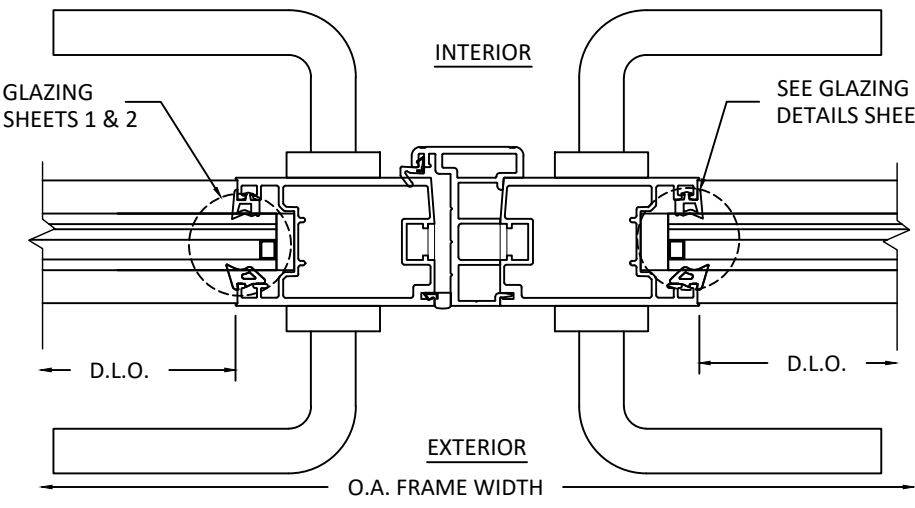
DWG. #: **EWS016**



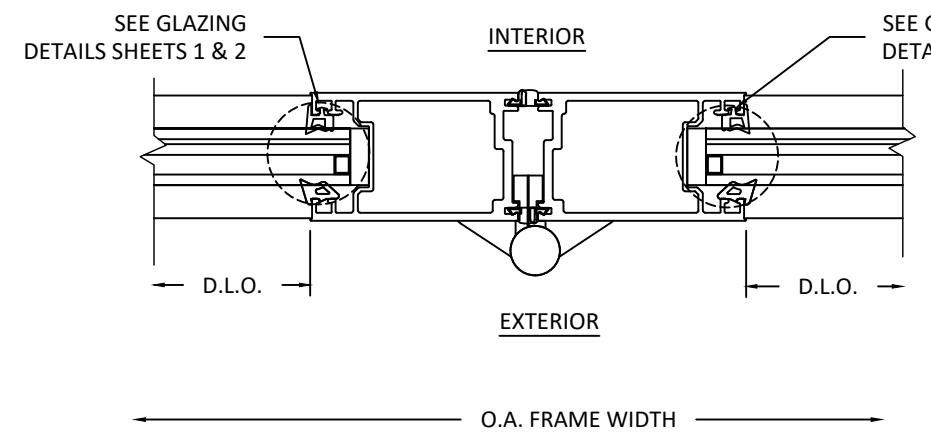
**A**  
**9** HORIZONTAL SECTION  
JAMB DETAIL/ OUTSWING



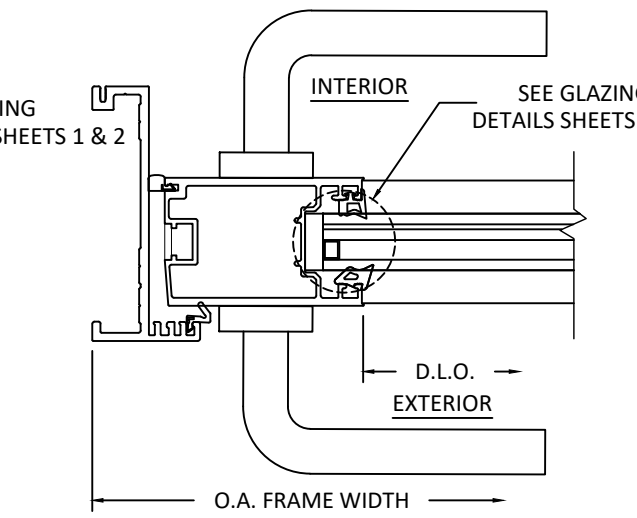
**B**  
**9** HORIZONTAL SECTION  
PANEL TO PANEL DETAIL/ OUTSWING



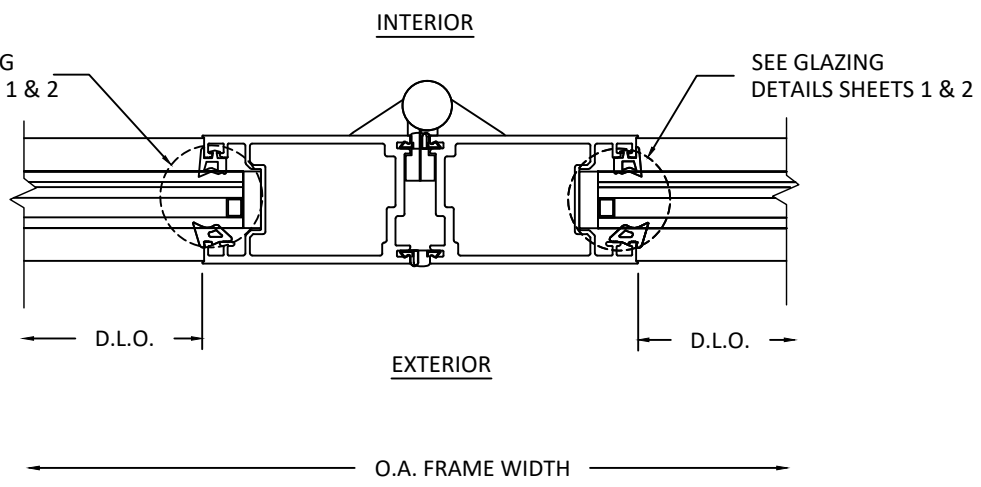
**C**  
**9** HORIZONTAL SECTION  
STANDARD HARDWARE DETAIL/ OUTSWING



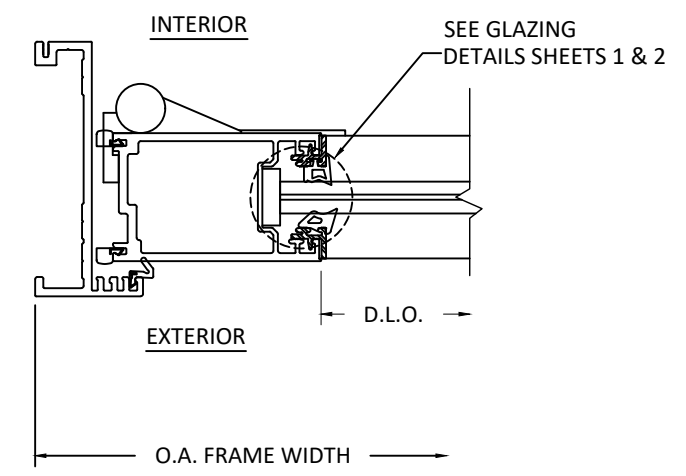
**D**  
**9** HORIZONTAL SECTION  
PANEL TO PANEL DETAIL/ OUTSWING



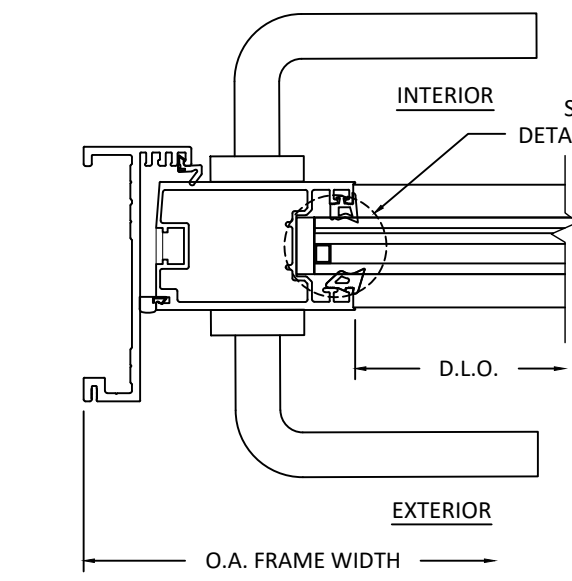
**E**  
**9** HORIZONTAL SECTION  
JAMB DETAIL W/ STANDARD HARDWARE/ INSWING



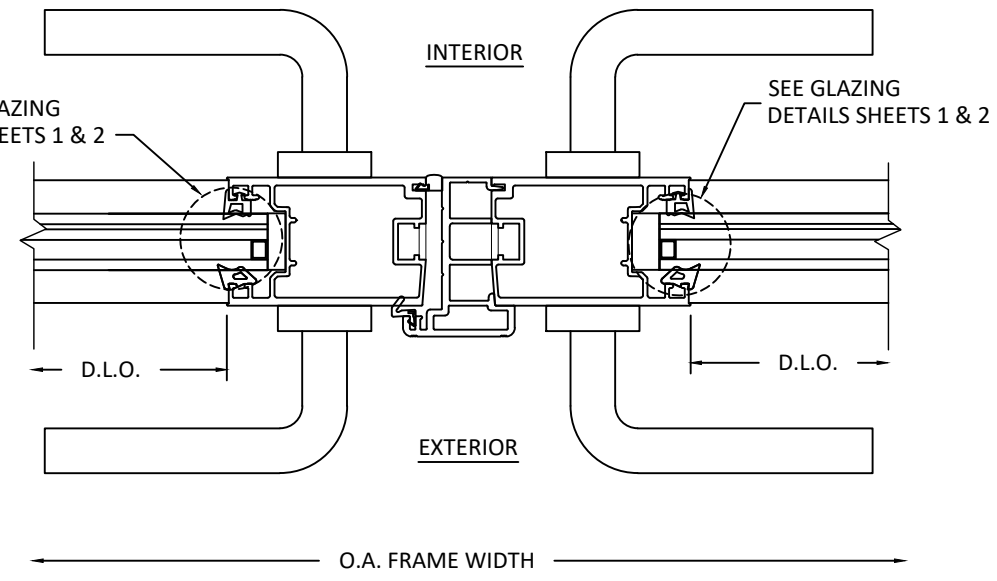
**F**  
**9** HORIZONTAL SECTION  
PANEL TO PANEL DETAIL/ INSWING



**G**  
**9** HORIZONTAL SECTION  
JAMB DETAIL/ INSWING



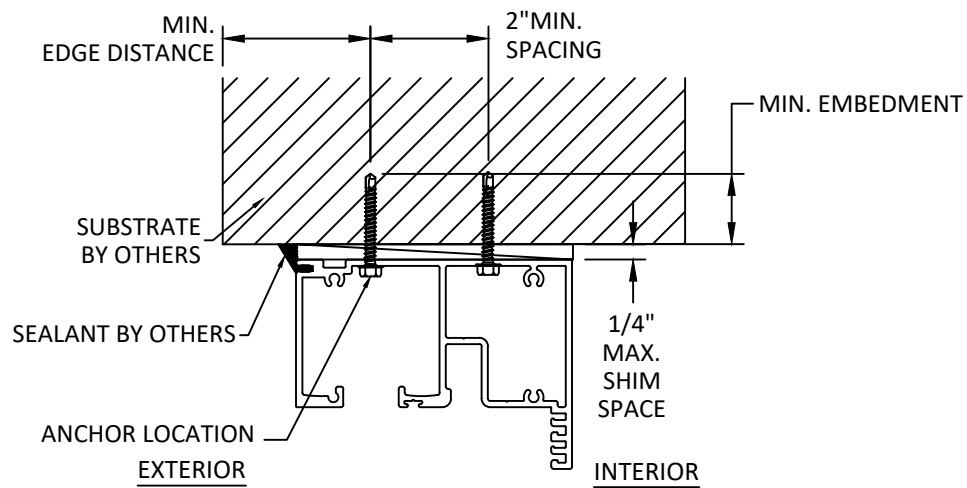
**H**  
**9** HORIZONTAL SECTION  
JAMB DETAIL W/ STANDARD HARDWARE/ OUTSWING



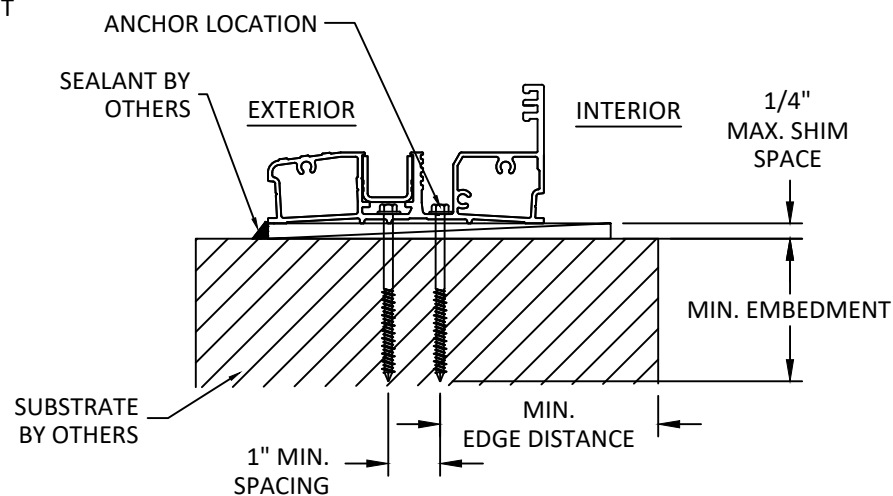
**I**  
**9** HORIZONTAL SECTION  
STANDARD HARDWARE DETAIL/ INSWING



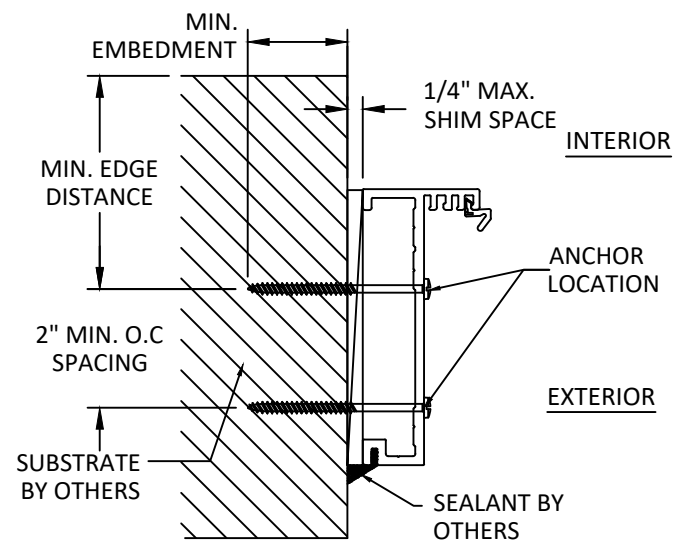
9/29/2023 1:30 PM  
s:\projects\euro-wall systems\fb-23-0818 - fbc submittal - fbc submittal - ew holdings of florida llc name change\dwgs\117838\ew016.dwg



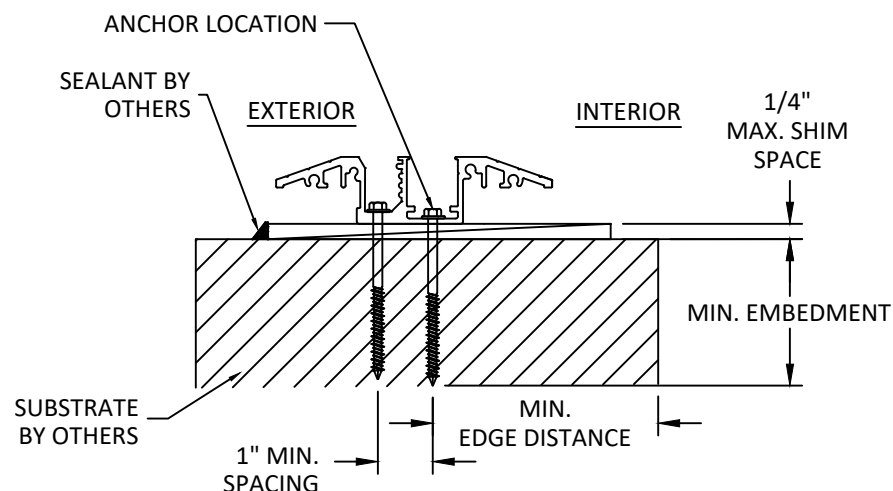
**A**  
**11** ANCHOR DETAIL  
HEAD - THROUGH FRAME



**B**  
**11** ANCHOR DETAIL  
STANDARD OR MODIFIED SILL - THROUGH FRAME  
INSWING/OUTSWING



**C**  
**11** ANCHOR DETAIL  
JAMBS - THROUGH FRAME



**D**  
**11** ANCHOR DETAIL  
ADA SILL - THROUGH FRAME

**INSTALLATION NOTES:**

- TWO (2) INSTALLATION ANCHORS REQUIRED AT EACH LOCATION SHOWN.
- OPTIONAL 1X AND 2X WOOD STUDS FOR CONCRETE/CMU INSTALLATION.
- THE NUMBER OF INSTALLATION ANCHORS DEPICTED IS THE MINIMUM NUMBER OF ANCHORS TO BE USED FOR PRODUCT INSTALLATION OF THE MAXIMUM SIZE LISTED.
- INSTALL INDIVIDUAL INSTALLATION ANCHORS WITHIN A TOLERANCE OF  $\pm 1/2$  INCH THE DEPICTED LOCATION & SPACING IN THE ANCHOR LAYOUT DETAILS (I.E., WITHOUT CONSIDERATION OF TOLERANCES). TOLERANCES ARE NOT CUMULATIVE FROM ONE INSTALLATION ANCHOR TO THE NEXT.
- SHIM AS REQUIRED AT EACH INSTALLATION ANCHOR WITH LOAD BEARING SHIM(S). MAXIMUM ALLOWABLE SHIM STACK TO BE 1/4 INCH. SHIM WHERE SPACE OF 1/16 INCH OR GREATER OCCURS. SHIM(S) SHALL BE CONSTRUCTED OF HIGH DENSITY PLASTIC OR BETTER.
- MINIMUM EMBEDMENT AND EDGE DISTANCE EXCLUDE WALL FINISHES, INCLUDING BUT NOT LIMITED TO STUCCO, FOAM, BRICK VENEER, AND SIDING.
- INSTALLATION ANCHORS AND ASSOCIATED HARDWARE MUST BE MADE OF CORROSION RESISTANT MATERIAL OR HAVE A CORROSION RESISTANT COATING.
- FOR HOLLOW BLOCK AND GROUT FILLED BLOCK, DO NOT INSTALL INSTALLATION ANCHORS INTO MORTAR JOINTS. EDGE DISTANCE IS MEASURED FROM FREE EDGE OF BLOCK OR EDGE OF MORTAR JOINT INTO FACE SHELL OF BLOCK.
- INSTALLATION ANCHORS SHALL BE INSTALLED IN ACCORDANCE WITH ANCHOR MANUFACTURER'S INSTALLATION INSTRUCTIONS, AND ANCHORS SHALL NOT BE USED IN SUBSTRATES WITH STRENGTHS LESS THAN THE MINIMUM STRENGTH SPECIFIED BY THE ANCHOR MANUFACTURER.

ANCHOR SCHEDULE					
INSTALLATION TYPE	QTY PER LOCATION	SUBSTRATE	ANCHOR TYPE	EMBEDMENT (IN.)	EDGE DISTANCE (IN.)
THRU FRAME	2	WOOD (MIN. S.G. = 0.55)	#14 WOOD SCREW	1.50	0.75
	2	CONCRETE (MIN. F'C = 2,000 PSI) OR CMU (PER ASTM C90)	1/4" ITW TAPCON	1.75	2.50
	2	METAL STUD (STEEL MIN. 18GA, Fy = 33 KSI) ALUMINUM MIN 1/8", 6063-T5)	1/4" SMS OR SELF DRILLING SCREW	3 THREADS PENETRATION BEYOND METAL WALL	0.50

**euro-wall**  
SUPERIOR BY DESIGN

EURO-WALL, LLC  
P.O. BOX 8007  
NORTH PORT, FL 34290  
PH: (888) 989-3876

TITLE: EURO-C3 BIFOLD ALUMINUM DOOR SYSTEM (HVHZ)/(IMPACT)  
ANCHOR DETAILS

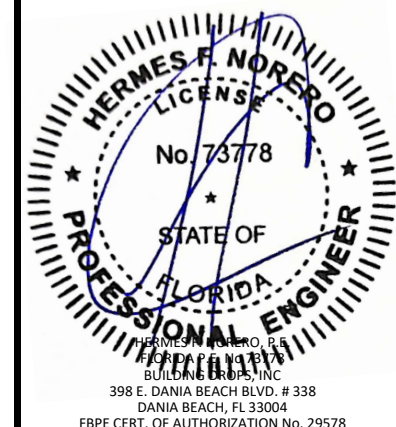
ANCHOR DETAILS

PREPARED BY: BUILDING DROPS, INC.  
398 E. DANIA BEACH BLVD., STE. 338  
DANIA BEACH, FL 33004  
PH: (954) 399-8478  
FAX: (954) 744-4738  
WEB: www.buildingdrops.com



REMARKS	BY	DATE
ADD 12' HEIGHT DOOR	MS	06/21
2023 CODE CHANGE	MG	02/23
MISC. UPDATE	OL	06/23
PANIC HARDWARE UPD	SH	09/23

THE INSTALLATION DETAILS DESCRIBED HEREIN ARE GENERIC AND MAY NOT REFLECT ACTUAL CONDITIONS FOR A SPECIFIC SITE. IF SITE CONDITIONS CAUSE INSTALLATION TO DEVIATE FROM THE REQUIREMENTS DETAILED HEREIN, A LICENSED ENGINEER OR ARCHITECT SHALL PREPARE SITE SPECIFIC DOCUMENTS FOR USE WITH THIS DOCUMENT.



FL #: **FL17838**

DATE: **10.09.20**

DWG. BY: **LL** CHK. BY: **SM**

SCALE: **NTS**

DWG. #: **EWS016**

SHEET

**11**

OF 11